

AT91SAM-ICE

.....
User Guide







Table of Contents

Section 1

Introduction.....	1-1
1.1 Overview.....	1-1
1.1.1 Features of SAM-ICE.....	1-1
1.1.2 Specification	1-1
1.2 Requirements.....	1-2
1.2.1 Host System	1-2
1.2.2 Target System	1-2

Section 2

Hardware.....	2-1
2.1 JTAG Connector	2-1
2.1.1 Pinout	2-1
2.2 Debugging Multiple ARM® Cores with SAM-ICE	2-2

Section 3

Setup.....	3-1
3.1 Installing the USB Driver.....	3-1
3.1.1 Verifying Correct Driver Installation	3-3
3.2 Debug Installation	3-4
3.3 Connecting the Target System	3-4
3.3.1 Power-on Sequence	3-4
3.3.2 Verifying Target Device Connection	3-4
3.4 Problems.....	3-4

Section 4

SAM-ICE Related Software.....	4-1
4.1 Overview.....	4-1
4.2 Free Software	4-1
4.2.1 JLink.exe (Command Line Tool).....	4-1
4.2.2 SAM-ICE TCP/IP Server (Remote SAM-ICE Use)	4-1
4.2.3 J-Mem Memory Viewer.....	4-2

Section 5

Frequently Asked Questions	5-1
5.1 FAQs.....	5-1

Section 6

Support.....	6-1
6.1 Troubleshooting	6-1
6.1.1 General Procedure	6-1
6.1.2 Typical Problem Scenarios.....	6-1
6.2 Contacting Support	6-2

Section 7

Glossary	7-1
7.1 Terminology	7-1

Section 8

Errata.....	8-1
8.1 Reset Problem on the SAM-ICE V5.1	8-1

Section 9

Revision History	9-1
9.1 AT91SAM-ICE User Guide Revision History	9-1



1.1 Overview

SAM-ICE is a JTAG emulator designed for Atmel® AT91 ARM® cores. It connects via USB to a PC running Microsoft Windows2000 or XP. SAM-ICE has a built-in 20-pin JTAG connector, which is compatible with the standard 20-pin connector defined by ARM®.

1.1.1 Features of SAM-ICE

- Any Atmel AT91 ARM7™/ARM9™ core supported, including Thumb® mode
- Seamless integration into the IAR® Workbench
- No power supply required, powered through USB
- Maximum JTAG speed 8 MHz
- Auto speed recognition
- All JTAG signals can be monitored
- Support for multiple devices
- Fully plug and play compatible
- Standard 20-pin JTAG connector
- Wide target voltage range: 1.2V to 3.3V
- USB and 20-pin ribbon cable included
- Real-time memory viewer (J-Mem) included
- SAM-ICE TCP/IP server included, can use SAM-ICE via TCP/IP networks
- RDI server available, can use SAM-ICE with RDI compliant software
- Support for adaptive clocking

1.1.2 Specification

Table 1-1. SAM-ICE Specification

Parameter	
Power Supply	USB powered < 50mA
USB Interface	USB 2.0, full speed
Target Interface	JTAG 20-pin
Serial Transfer Rate between SAM-ICE and Target	Up to 8 MHz
Supported Target Voltage	1.2V to 3.3V
Operating Temperature	+5°C to +60°C
Storage Temperature	-20°C to +65 °C

Table 1-1. SAM-ICE Specification (Continued)

Parameter	
Relative Humidity (non-condensing)	< 90% rH
Size (without cables)	100 mm x 53 mm x 27 mm
Weight (without cables)	70 g
Electromagnetic Compatibility (EMC)	EN 55022, EN 55024
Supported OS	Microsoft Windows2000/XP

1.2 Requirements

1.2.1 Host System

In order to use SAM-ICE, a host system running Windows2000 or WindowsXP with the SAM-ICE custom USB driver is required.

1.2.2 Target System

An Atmel AT91 ARM7 or ARM9 target system is required. The system should have a 20-pin connector as defined by ARM Ltd. The individual pins are described in [Section 2.1 "JTAG Connector" on page 2-1](#).



2.1 JTAG Connector

A SAM-ICE connector is a 20-way Insulation Displacement Connector (IDC) keyed box header (2.54 mm male) that mates with IDC sockets mounted on a ribbon cable.

2.1.1 Pinout

Table 2-1 lists the SAM-ICE JTAG pinout.

Table 2-1. Pinout

Pin	Signal	Type	Description
1	VTref	Input	This is the target reference voltage. It is used to check if the target has power, to create the logic-level reference for the input comparators and controls the output logic levels to the target. It is normally fed from Vdd on the target board and must not have a series resistor.
2	Vsupply	NC	This pin is not connected in SAM-ICE. It is reserved for compatibility with other equipment. Connect to Vdd or leave open in target system.
3	nTRST	Output	JTAG Reset. Output from SAM-ICE to the Reset signal on the target JTAG port. Typically connected to nTRST on the target CPU. This pin is normally pulled HIGH on the target to avoid unintentional resets when there is no connection.
4	GND	-	Common ground
5	TDI	Output	JTAG data input of target CPU. It is recommended that this pin is pulled to a defined state on the target board. Typically connected to TDI on target CPU.
6	GND	-	Common ground
7	TMS	Output	JTAG mode set input of target CPU. This pin should be pulled up on the target. Typically connected to TMS on target CPU.
8	GND	-	Common ground
9	TCK	Output	JTAG clock signal to target CPU. It is recommended that this pin is pulled to a defined state on the target board. Typically connected to TCK on target CPU.
10	GND	-	Common ground
11	RTCK	NC	Input Return test clock signal from the target. Some targets must synchronize the JTAG inputs to internal clocks. To assist in meeting this requirement, a returned and retimed TCK can be used to dynamically control the TCK rate. SAM-ICE supports adaptive clocking which waits for TCK changes to be echoed correctly before making further changes. Connect to RTCK if available, otherwise to GND.

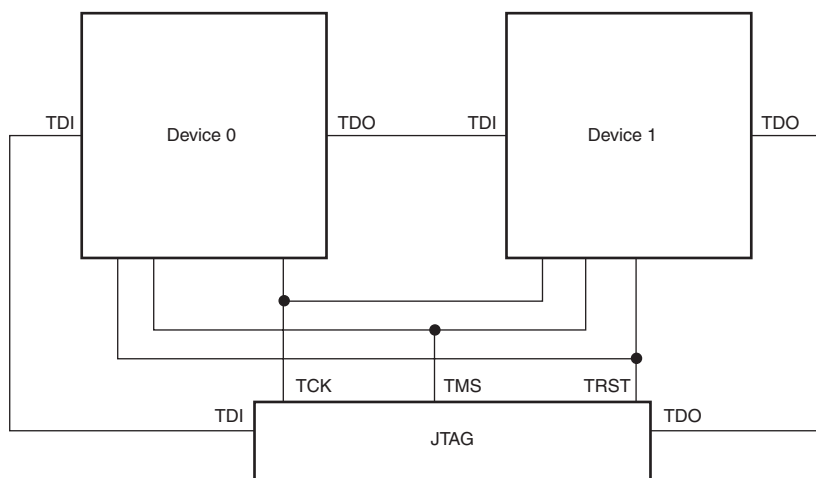
Table 2-1. Pinout (Continued)

Pin	Signal	Type	Description
12	GND	-	Common ground
13	TDO	Input	JTAG data output from target CPU. Typically connected to TDO on target CPU.
14	GND	-	Common ground
15	RESET	I/O	Target CPU reset signal
16	GND	-	Common ground
17	-	NC	This pin is not connected in SAM-ICE.
18	GND	-	Common ground
19	-	NC	This pin is not connected in SAM-ICE.
20	GND	-	Common ground

2.2 Debugging Multiple ARM® Cores with SAM-ICE

SAM-ICE can handle multicore debugging. In this case, multiple ARM chips are connected to the same JTAG connector as shown in [Figure 2-1](#).

Figure 2-1. Multi-core Connections

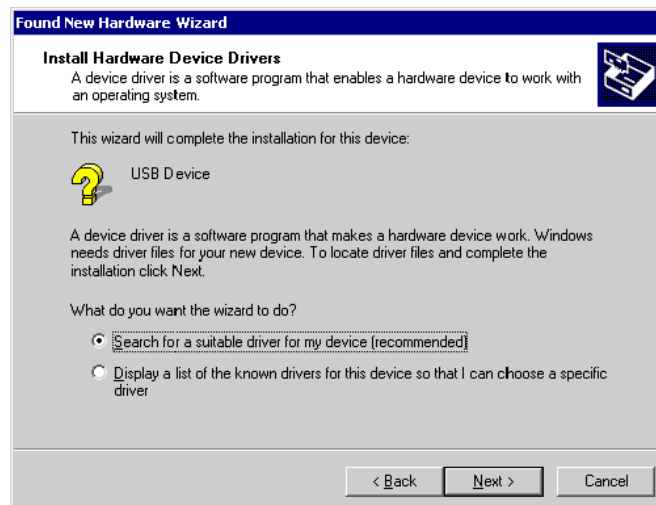


3.1 Installing the USB Driver

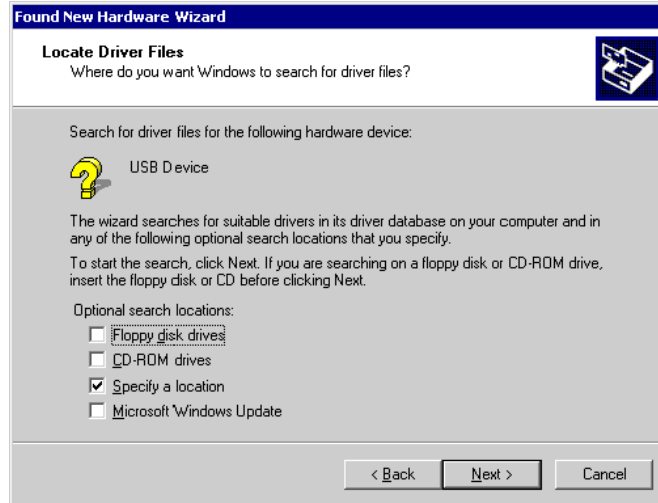
When your SAM-ICE is plugged into the computer's USB port, or when the computer is first powered-on after connecting SAM-ICE, Windows® detects the new hardware.



The wizard starts the installation of the driver. First, select the "Search for a suitable driver for my device (recommended)" option, then click on the "Next >" button.

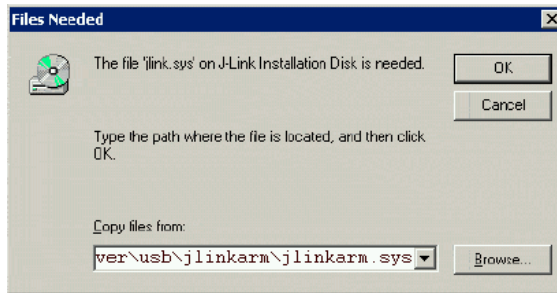


In the next step, you need to select the "Specify a location" option, and click on the "Next >" button.



Copy the driver available on the DVD-ROM to your location.

The wizard asks you to specify the location of the correct driver files for the new device. Use the directory navigator to select "D:\tools\driver\usb\jlinkarm" (or your chosen location) and confirm with a click on the "Next >" button



The wizard confirms your choice and starts to copy, when you click on the "OK" button.

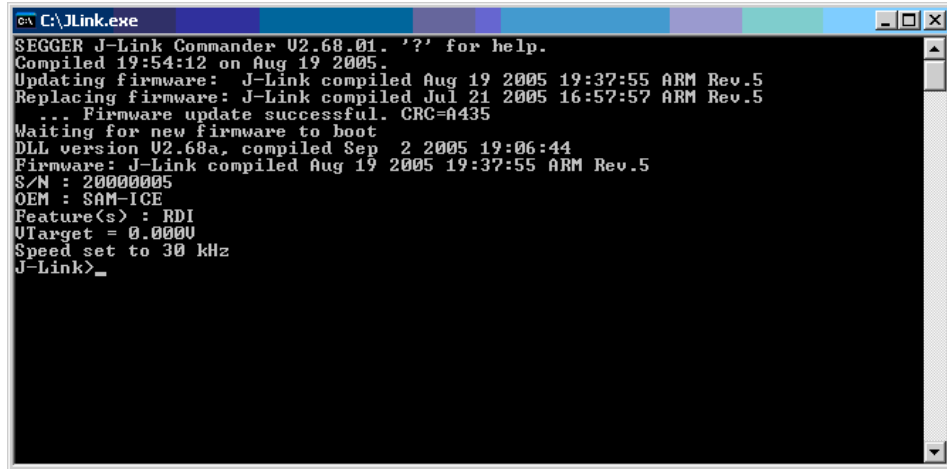


At this point, the installation is complete. Click on the "Finish" button to dismiss the installation.

3.1.1 Verifying Correct Driver Installation

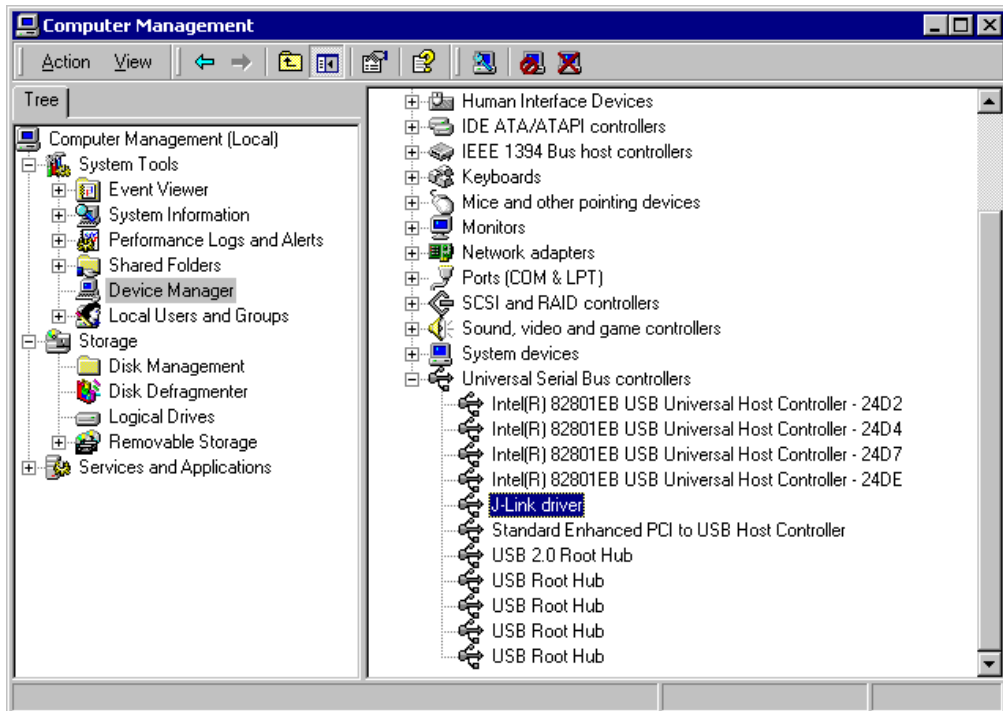
To verify the correct installation of the driver, disconnect and reconnect SAM-ICE to the USB port. During the enumeration process which takes about 2 seconds, the LED on SAM-ICE is flashing. After successful enumeration, the LED stays on permanently.

Start the provided sample application JLink.exe. JLink.exe should display the build date of the SAM-ICE firmware, the serial number, a target voltage of 0.000V if a target is not connected to SAM-ICE and the speed selection. See the screenshot below



```
C:\JLink.exe
SEGGER J-Link Commander V2.68.01. '?' for help.
Compiled 19:54:12 on Aug 19 2005.
Updating firmware: J-Link compiled Aug 19 2005 19:37:55 ARM Rev.5
Replacing firmware: J-Link compiled Jul 21 2005 16:57:57 ARM Rev.5
... Firmware update successful. CRC=A435
Waiting for new firmware to boot
DLL version V2.68a, compiled Sep  2 2005 19:06:44
Firmware: J-Link compiled Aug 19 2005 19:37:55 ARM Rev.5
S/N : 20000005
OEM : SAM-ICE
Feature(s) : RDI
VTarget = 0.000V
Speed set to 30 kHz
J-Link>_
```

In addition to this you may verify the driver installation by consulting the Windows® device manager. If the driver is installed and your SAM-ICE is connected to your computer, the device manager should list the J-Link driver as a node below "Universal Serial Bus controllers" as shown in the following screenshot:



A right-click on the driver opens a context menu which contains the item "Properties". If you select this item, a new dialog is opened and should report: "This device is working properly".

3.2 Debug Installation

The SAM-ICE RDI software is an RDI interface for SAM-ICE. It makes it possible to use SAM-ICE with any RDI compliant debugger.

The main part of the software is an RDI compliant DLL, which needs to be selected in the debugger.

Supported configurations are described on the AT91 DVD-ROM. For additional information on debug, refer to the SAM-ICE "Getting started" bar menu.

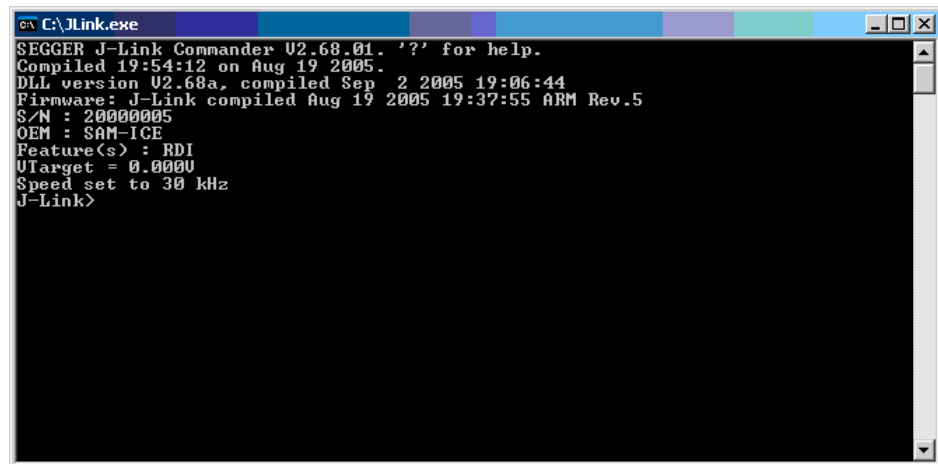
3.3 Connecting the Target System

3.3.1 Power-on Sequence

SAM-ICE must be powered on before connecting it to the target device. First, connect SAM-ICE to the host system via the USB and then connect SAM-ICE to the target device via JTAG. Power-on the device after you have connected SAM-ICE to it.

3.3.2 Verifying Target Device Connection

If the USB driver is working properly and your SAM-ICE is connected to the host system, you may connect SAM-ICE to your target hardware. Then start `JLink.exe` again; it should now display the same SAM-ICE related information as above. In addition, it should report that it found a JTAG target and the target core ID. The screenshot below shows the output of `JLink.exe`. As can be seen, it reports a SAM-ICE with one JTAG device connected.



```
C:\JLink.exe
SEGGER J-Link Commander V2.68.01. '?' for help.
Compiled 19:54:12 on Aug 19 2005.
DLL version V2.68a, compiled Sep 2 2005 19:06:44
Firmware: J-Link compiled Aug 19 2005 19:37:55 ARM Rev.5
S/N : 20000005
OEM : SAM-ICE
Feature(s) : RDI
Utarget = 0.0000
Speed set to 30 kHz
J-Link>
```

3.4 Problems

For help with any of the steps described above, refer to [Section 6.1](#) for troubleshooting tips.



SAM-ICE Related Software

4.1 Overview

Table 4-1. Available Software Packages

Software	Description
JLink.exe	Free Command line tool with basic functionality for target analysis.
SAM-ICE TCP/IP Server	Free utility which provides the possibility to use SAM-ICE remotely via TCP/IP.
J-Mem memory viewer	Free target memory viewer. Shows the memory content of a running target and allows editing as well.
SAM-ICE ARM [®] Flash DLL	An enhanced version of the JLinkARM.DLL, which contains additional API functions for Flash programming.
RDI support	Provides Remote Debug Interface (RDI) support.

4.2 Free Software

Free software related to SAM-ICE ships with SAM-ICE and may also be downloaded from the web site:

<http://www.segger.com>

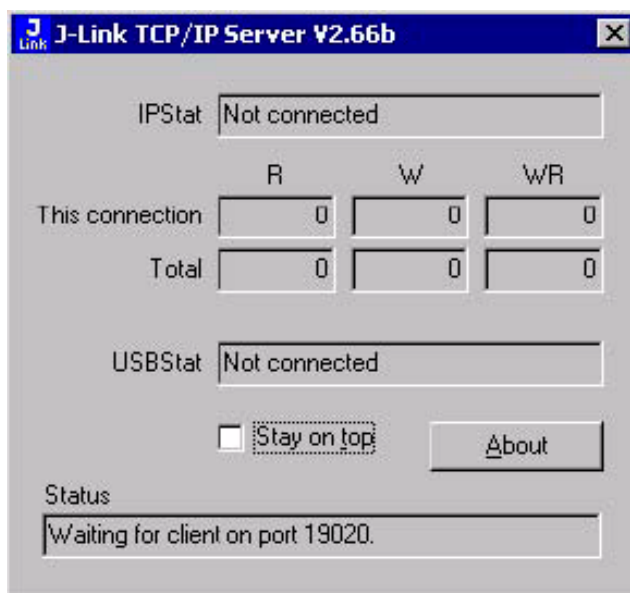
No additional license is required to use this software.

4.2.1 JLink.exe (Command Line Tool)

JLink.exe is a tool, that can be used to verify proper installation of the USB driver and to verify the connection to the ARM[®] chip, as well as for simple analysis of the target system. It permits some simple commands, such as memory dump, halt, step, go and ID-check, as well as some more in-depths analysis of the the state of the ARM[®] core and the ICE breaker module.

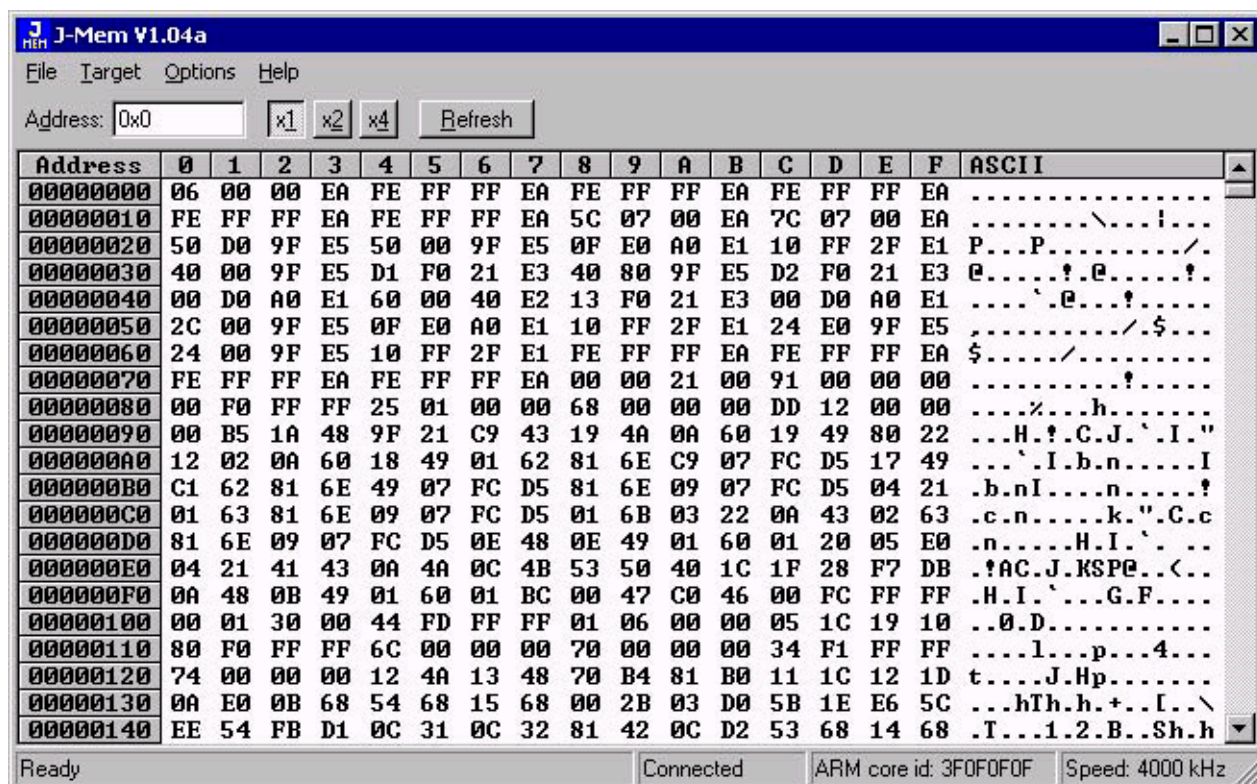
4.2.2 SAM-ICE TCP/IP Server (Remote SAM-ICE Use)

The SAM-ICE TCP/IP server allows using SAM-ICE remotely via TCP/IP. This enables you to connect to and fully use a SAM-ICE from another computer. Performance is just slightly (about 10%) lower than with direct USB connection.



4.2.3 J-Mem Memory Viewer

J-Mem displays memory contents of ARM® systems and allows modifications of RAM and SFRs (Special function registers) while the target is running. This makes it possible to look into the memory of an ARM® chip at run time; RAM can be modified and SFRs can be written. The type of access for both read and write access can be selected to be 8/16/32 bits. This is an efficient means for modifying SFRs, in particular because it writes the SFR only after the complete value has been entered.





Frequently Asked Questions

5.1 FAQs

- Which CPUs are supported?
 - SAM-ICE works exclusively with Atmel AT91 ARM7™/ARM9™-based microcontroller cores.
- What is the maximum JTAG speed supported by SAM-ICE?
 - The maximum supported JTAG speed is 8 MHz.
- Can I access individual ICE registers via SAM-ICE?
 - Yes, you can access all individual ICE registers via SAM-ICE.
- Can SAM-ICE read back the status of the JTAG pins?
 - Yes, the status of all pins can be read. This includes the outputs of SAM-ICE as well as the supply voltage and can be useful to detect hardware problems on the target system.
- Does SAM-ICE support the embedded trace macro (ETM)?
 - No. ETM requires another connection to the ARM® chip and a CPU with built-in ETM.



6.1 Troubleshooting

6.1.1 General Procedure

If you experience problems with a SAM-ICE, follow the steps below to solve these problems:

1. Close all running applications on your host system.
2. Disconnect the SAM-ICE device from USB.
3. Power-off target.
4. Re-connect SAM-ICE to host system (attach USB cable).
5. Power-on target.
6. Try your target application again. If the problem disappears, you are done; otherwise continue.
7. Close all applications running on your host system again.
8. Disconnect the SAM-ICE device from USB.
9. Power-off target.
10. Re-connect SAM-ICE to host system (attach USB cable).
11. Power-on target.
12. Start `JLink.exe`.
13. If `JLink.exe` reports the SAM-ICE serial number and the target processor's core ID, the SAM-ICE is working properly and cannot be the cause of your problem.
14. If `JLink.exe` is unable to read the target processor's core ID, you should analyze the communication between your target and SAM-ICE with a logic analyzer or oscilloscope.
15. If your problem persists and you own an original SAM-ICE (not an OEM version), see [Section 6.2](#).

6.1.2 Typical Problem Scenarios

6.1.2.1 SAM-ICE LED is off

- Meaning:
 - The USB connection does not work.
- Corrective action:
 - Check the USB connection. Try to re-initialize SAM-ICE by disconnecting and reconnecting it. Make sure that the connectors are firmly attached. Check the cable connections on your SAM-ICE and the computer. If this does not solve the problem, please check if your cable is defective. If the USB cable is ok, try a different PC.

6.1.2.2 SAM-ICE LED is flashing at a high frequency

- Meaning:
 - SAM-ICE cannot be enumerated by the USB controller.
- Most likely causes:
 - a.) Another program is already using SAM-ICE.
 - b.) The SAM-ICE USB driver does not work correctly.
- Corrective action:
 - a.) Close all running applications and try to reinitialize SAM-ICE by disconnecting and reconnecting it.
 - b.) If the LED blinks permanently, check the correct installation of the SAM-ICE USB driver. Deinstall and reinstall the driver as shown in [Section 3](#).

6.1.2.3 SAM-ICE does not get any connection to the target

- Most likely causes:
 - a.) The JTAG cable is defective
 - b.) The target hardware is defective
- Corrective action:
 - Follow the steps described in [Section 6.1.1](#).

6.2 Contacting Support

Before contacting support, assure that you have tried to solve your problem by following the steps outlined in section [Section 6.1.1](#). You may also try your SAM-ICE with another PC and, if possible, with another target system to see if it works there. If the device functions correctly, the USB setup on the original machine or your target hardware is the source of the problem, not SAM-ICE.

Make sure that you have the following information available for the support team:

- A detailed description of the problem
- SAM-ICE serial number
- Output of JLink.exe if available
- Your findings on the signal analysis
- Information about your target hardware (processor, board etc.)



7.1 Terminology

Adaptive clocking

A technique in which a clock signal is sent out by Multi-ICE and it waits for the returned clock before generating the next clock pulse. The technique allows the Multi-ICE interface unit to adapt to differing signal drive capabilities and differing cable lengths.

Application Program Interface

A specification of a set of procedures, functions, data structures, and constants that are used to interface two or more software components together.

Big-endian

Memory organization where the least significant byte of a word is at a higher address than the most significant byte. See Little-endian.

Cache cleaning

The process of writing dirty data in a cache to main memory.

Coprocessor

An additional processor that is used for certain operations, for example, for floating-point math calculations, signal processing, or memory management.

Dirty data

When referring to a processor data cache, data that has been written to the cache but has not been written to main memory. Only write-back caches can have dirty data, because a write-through cache writes data to the cache and to main memory simultaneously. The process of writing dirty data to main memory is called cache cleaning.

Dynamic Linked Library (DLL)

A collection of programs, any of which can be called when needed by an executing program. A small program that helps a larger program communicate with a device such as a printer or keyboard is often packaged as a DLL.

EmbeddedICE™

The additional hardware provided by debuggable ARM® processors to aid debugging.

Halfword

A 16-bit unit of information. Contents are taken as being an unsigned integer unless otherwise stated.

Host

A computer which provides data and other services to another computer. Especially, a computer providing debugging services to a target being debugged.

ICache

Instruction cache.

ICE Extension Unit

A hardware extension to the EmbeddedICE logic that provides more breakpoint units.

ID

Identifier.

IEEE 1149.1

The IEEE Standard which defines TAP. Commonly (but incorrectly) referred to as JTAG.

Image

An executable file that has been loaded onto a processor for execution.

In-Circuit Emulator (ICE)

A device enabling access to and modification of the signals of a circuit while that circuit is operating.

Instruction Register

When referring to a TAP controller, a register that controls the operation of the TAP.

IR

See Instruction Register.

Joint Test Action Group (JTAG)

The name of the standards group which created the IEEE 1149.1 specification.

Little-endian

Memory organization where the least significant byte of a word is at a lower address than the most significant byte. See also Big-endian.

Memory Management Unit (MMU)

Hardware that controls caches and access permissions to blocks of memory, and translates virtual to physical addresses.

Multi-ICE®

Multi-processor EmbeddedICE interface. ARM® registered trademark.

nSRST

Abbreviation of System Reset. The electronic signal which causes the target system other than the TAP controller to be reset. This signal is known as nSYSRST in some other manuals. See also nTRST.

nTRST

Abbreviation of TAP Reset. The electronic signal that causes the target system TAP controller to be reset. This signal is known as nICERST in some other manuals. See also nSRST.



Open collector

A signal that may be actively driven LOW by one or more drivers, and is otherwise passively pulled HIGH. Also known as a “wired AND” signal.

Processor Core

The part of a microprocessor that reads instructions from memory and executes them, including the instruction fetch unit, arithmetic and logic unit and the register bank. It excludes optional coprocessors, caches, and the memory management unit.

Program Status Register (PSR)

Contains some information about the current program and some information about the current processor. Often, therefore, also referred to as Processor Status Register.

Is also referred to as Current PSR (CPSR), to emphasize the distinction between it and the Saved PSR (SPSR). The SPSR holds the value the PSR had when the current function was called, and which will be restored when control is returned.

Remapping

Changing the address of physical memory or devices after the application has started executing. This is typically done to allow RAM to replace ROM once the initialization has been done.

Remote Debug Interface (RDI)

RDI is an open ARM® standard procedural interface between a debugger and the debug agent. The widest possible adoption of this standard is encouraged.

RTCK

Returned TCK. The signal which enables Adaptive Clocking.

RTOS

Real Time Operating System.

Scan Chain

A group of one or more registers from one or more TAP controllers connected between TDI and TDO, through which test data is shifted.

Semihosting

A mechanism whereby the target communicates I/O requests made in the application code to the host system, rather than attempting to support the I/O itself.

SWI

Software Interrupt. An instruction that causes the processor to call a programmer-specified subroutine. Used by ARM® to handle semihosting.

TAP Controller

Logic on a device which allows access to some or all of that device for test purposes. The circuit functionality is defined in IEEE1149.1.

Target

The actual processor (real silicon or simulated) on which the application program is running.

TCK

The electronic clock signal which times data on the TAP data lines TMS, TDI, and TDO.

TDI

The electronic signal input to a TAP controller from the data source (upstream). Usually this is seen connecting the Multi-ICE Interface Unit to the first TAP controller.

TDO

The electronic signal output from a TAP controller to the data sink (downstream). Usually this is seen connecting the last TAP controller to the Multi-ICE Interface Unit.

Test Access Port (TAP)

The port used to access a device's TAP Controller. Comprises TCK, TMS, TDI, TDO and nTRST (optional).

Transistor-transistor Logic (TTL)

A type of logic design in which two bipolar transistors drive the logic output to one or zero. LSI and VLSI logic often used TTL with HIGH logic level approaching +5V and LOW approaching 0V.

Watchpoint

A location within the image that will be monitored and that will cause execution to stop when it changes.

Word

A 32-bit unit of information. Contents are taken as being an unsigned integer unless otherwise stated.

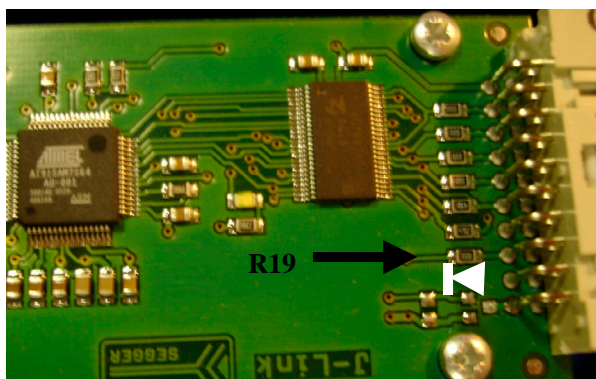
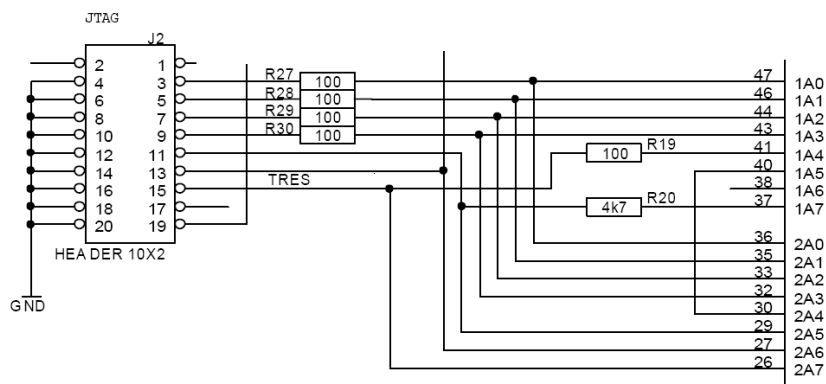
8.1 Reset Problem on the SAM-ICE V5.1

In certain cases, the reset signal generated by the AT91 target may be inoperative due to the fact that the SAM-ICE reset output (JTAG connector pin 15) is a push-pull stage with a 100 Ohm serial resistor.

Workaround: Two workarounds are possible:

- Replace R19 by a Schottky diode with the same resistor footprint (e.g. BAT54J).
- or
- Remove the resistor.

This problem has been resolved in SAM-ICE V5.2.







Section 9

Revision History

9.1 AT91SAM-ICE User Guide Revision History

Version	Comments	Change Request Ref.
6206B	Section 1.1.1 "Features of SAM-ICE" on page 1-1 , Support for adaptive clocking added Table 2-1, "Pinout," pin 11, RTCK, Description rewritten.	5182
6206A	First Issue	





Headquarters

Atmel Corporation
2325 Orchard Parkway
San Jose, CA 95131
USA
Tel: 1(408) 441-0311
Fax: 1(408) 487-2600

International

Atmel Asia
Room 1219
Chinachem Golden Plaza
77 Mody Road Tsimshatsui
East Kowloon
Hong Kong
Tel: (852) 2721-9778
Fax: (852) 2722-1369

Atmel Europe
Le Krebs
8, Rue Jean-Pierre Timbaud
BP 309
78054 Saint-Quentin-en-
Yvelines Cedex
France
Tel: (33) 1-30-60-70-00
Fax: (33) 1-30-60-71-11

Atmel Japan
9F, Tonetsu Shinkawa Bldg.
1-24-8 Shinkawa
Chuo-ku, Tokyo 104-0033
Japan
Tel: (81) 3-3523-3551
Fax: (81) 3-3523-7581

Product Contact

Web Site
www.atmel.com
www.atmel.com/AT91SAM

Technical Support
AT91SAM Support
Atmel technical support

Sales Contacts
www.atmel.com/contacts/

Literature Requests
www.atmel.com/literature

Disclaimer: The information in this document is provided in connection with Atmel products. No license, express or implied, by estoppel or otherwise, to any intellectual property right is granted by this document or in connection with the sale of Atmel products. **EXCEPT AS SET FORTH IN ATMEL'S TERMS AND CONDITIONS OF SALE LOCATED ON ATMEL'S WEB SITE, ATMEL ASSUMES NO LIABILITY WHATSOEVER AND DISCLAIMS ANY EXPRESS, IMPLIED OR STATUTORY WARRANTY RELATING TO ITS PRODUCTS INCLUDING, BUT NOT LIMITED TO, THE IMPLIED WARRANTY OF MERCHANTABILITY, FITNESS FOR A PARTICULAR PURPOSE, OR NON-INFRINGEMENT. IN NO EVENT SHALL ATMEL BE LIABLE FOR ANY DIRECT, INDIRECT, CONSEQUENTIAL, PUNITIVE, SPECIAL OR INCIDENTAL DAMAGES (INCLUDING, WITHOUT LIMITATION, DAMAGES FOR LOSS OF PROFITS, BUSINESS INTERRUPTION, OR LOSS OF INFORMATION) ARISING OUT OF THE USE OR INABILITY TO USE THIS DOCUMENT, EVEN IF ATMEL HAS BEEN ADVISED OF THE POSSIBILITY OF SUCH DAMAGES.** Atmel makes no representations or warranties with respect to the accuracy or completeness of the contents of this document and reserves the right to make changes to specifications and product descriptions at any time without notice. Atmel does not make any commitment to update the information contained herein. Unless specifically provided otherwise, Atmel products are not suitable for, and shall not be used in, automotive applications. Atmel's products are not intended, authorized, or warranted for use as components in applications intended to support or sustain life.



© 2008 Atmel Corporation. All rights reserved. Atmel®, logo and combinations thereof and others are registered trademarks or trademarks of Atmel Corporation or its subsidiaries. Windows® and others are registered trademark or trademarks of Microsoft Corporation in the US and/or other countries. ARM®, the ARMPowered® logo and others are the registered trademarks, or trademarks of ARM Ltd. Other terms and product